



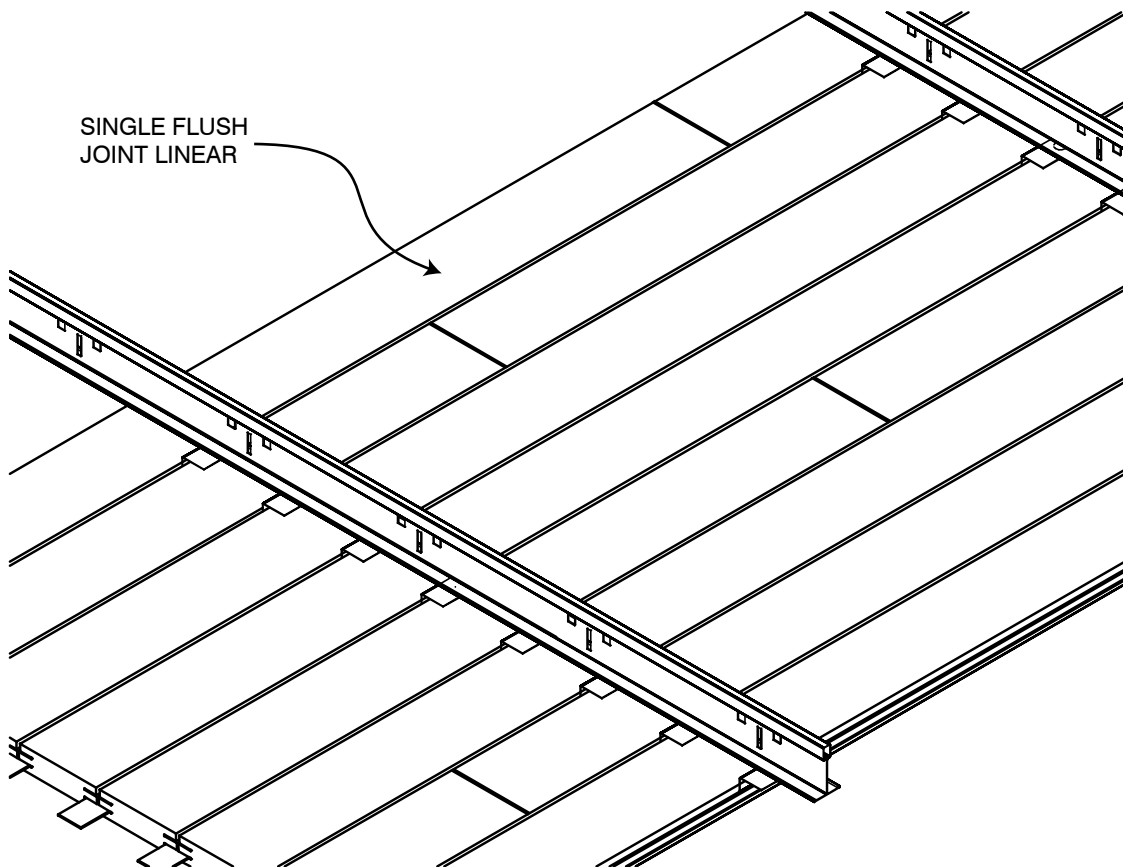
2600 Data Sheet



SERIES: 2000 LINEAR WOOD

STYLE: 2600 FLUSH JOINT LINEAR

Overview



The **2600 Flush Joint Linear** wood ceiling offers a design where the individual wood members abut with a flush-joint, edge-to-edge profile. Members are installed randomly to create a continuous look. Due to required fabrication tolerances for flush joinery, engineered veneered wood composites are used. Member lengths are 4' and 8' (nominal).

Attachment for the Flush Joint Linear is via progressive install, utilizing the 9Wood, Inc. Z-Clip.



2600 Data Sheet



SERIES: 2000 LINEAR WOOD

STYLE: 2600 FLUSH JOINT LINEAR

Product Data

Application

The Flush Joint Linear provides a flush-joint closed reveal look and creates a continuous, “wood floor-on-the-ceiling” appearance. Access can be through strategically located access panels or from room perimeters. Members are clipped to T-Bar main runners progressively.

Performance

Acclimatization

Flush Joint Linears must be cared for in a controlled interior environment (RH 25%-55% max; temp. 60°-80°) and installed only after reaching equilibrium moisture content. Should the building fall outside these limits consult 9Wood, Inc. for our 3 Tests/3 Tracks Acclimatization Advisory.

Acoustics

The Flush Joint Linear is considered acoustically reflective.

Fire Rating

Individual members and components can be treated with Class I (A) Fire Retardant chemicals (solid wood use FR coatings, veneered particleboard use FR formulas). Particular species or styles have not been tested.

LEED

Flush Joint Linears may qualify toward MR-3, MR-4.1/4.2, MR-5.1/5.2, MR-6, MR-7, IEQ-4.2 or IEQ-4.4. As all products are custom-fabricated, LEED credit opportunities are project by project. Please contact 9Wood, Inc. for specifics.

MEP

The Flush Joint Linear permits MEP penetrations in the ceiling's surface. Cut panels may require supplemental reinforcement. Fixtures and diff users must be independently supported.

Seismic

Clips are typically mechanically screwed to T-Bar for seismic compliance. Please consult local code or a licensed engineer for any additional requirements.

Species & Finishes

9Wood can offer both domestic and imported species for the Flush Joint Linear. Clear, satin sheen finish is standard; custom stain matches are available.

Suspension

Flush Joint Linears are directly attached to 15/16” heavy duty T-Bar main runners. Main runners are typically 2' on center.

System Weight

Flush Joint Linears typically weigh 3 pounds per square foot or less.



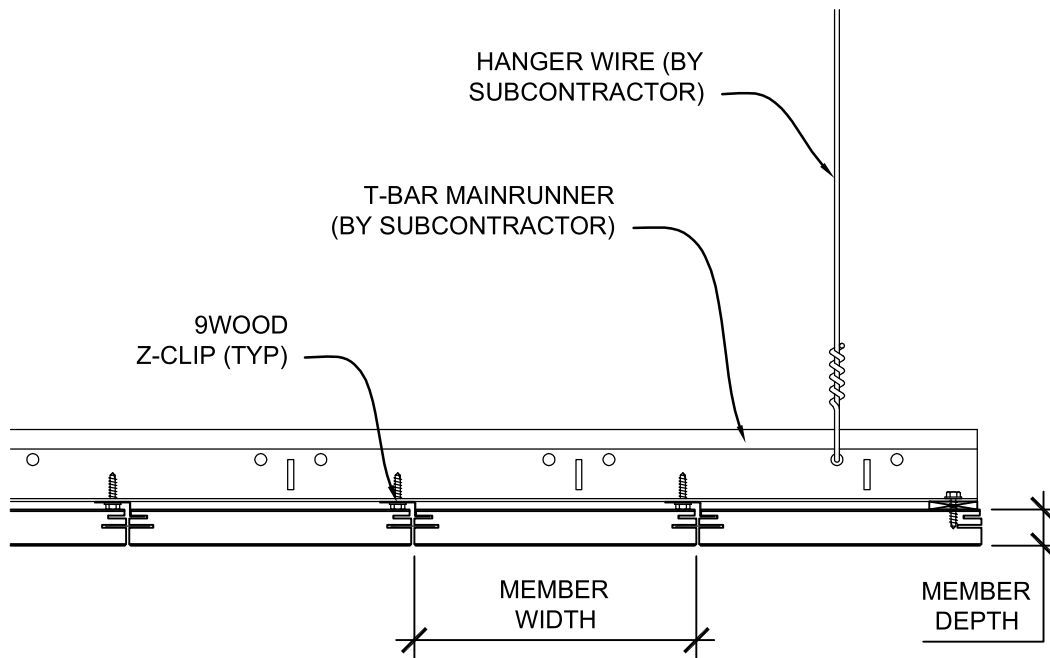
2600 Data Sheet



SERIES: 2000 LINEAR WOOD

STYLE: 2600 FLUSH JOINT LINEAR

Typical Specifications



SKU Table

Depth (Softwood)	Depth (Hardwood)	Width	Members per Linear Foot				
			2	3	4	5	6
5/8"	3/4"	2 7/8"	2613-4				
5/8"	3/4"	3 7/8"	2614-3				
5/8"	3/4"	5 7/8"	2616-2				

* Other width, depth and M/LF combinations available. Please inquire.

** Please see 9wood.com for information on appropriate species selections.



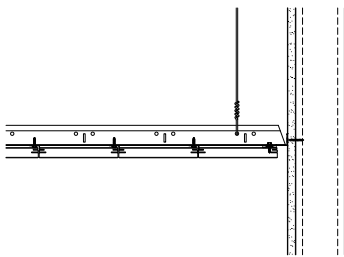
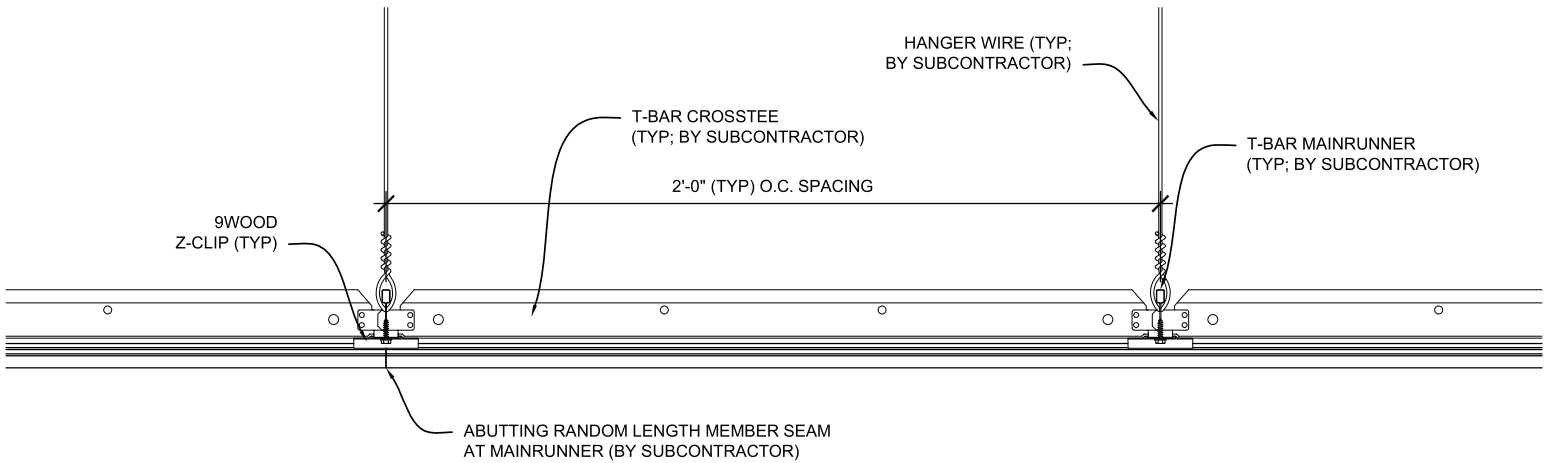
2600 Data Sheet



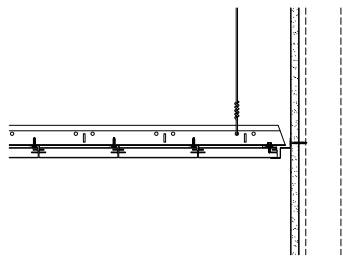
SERIES: 2000 LINEAR WOOD

STYLE: 2600 FLUSH JOINT LINEAR

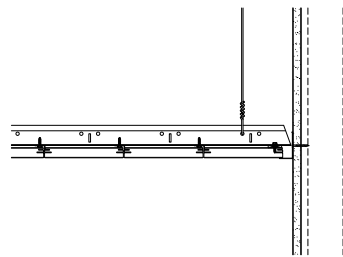
Perimeter Conditions and Suspension



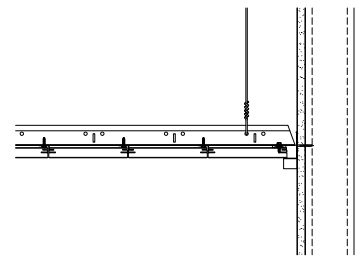
FLOATING OPEN REVEAL



METAL TRIM
SHADOW STYLE WALL ANGLE



METAL TRIM WALL ANGLE



WALL ANGLE w/ WOOD TRIM