



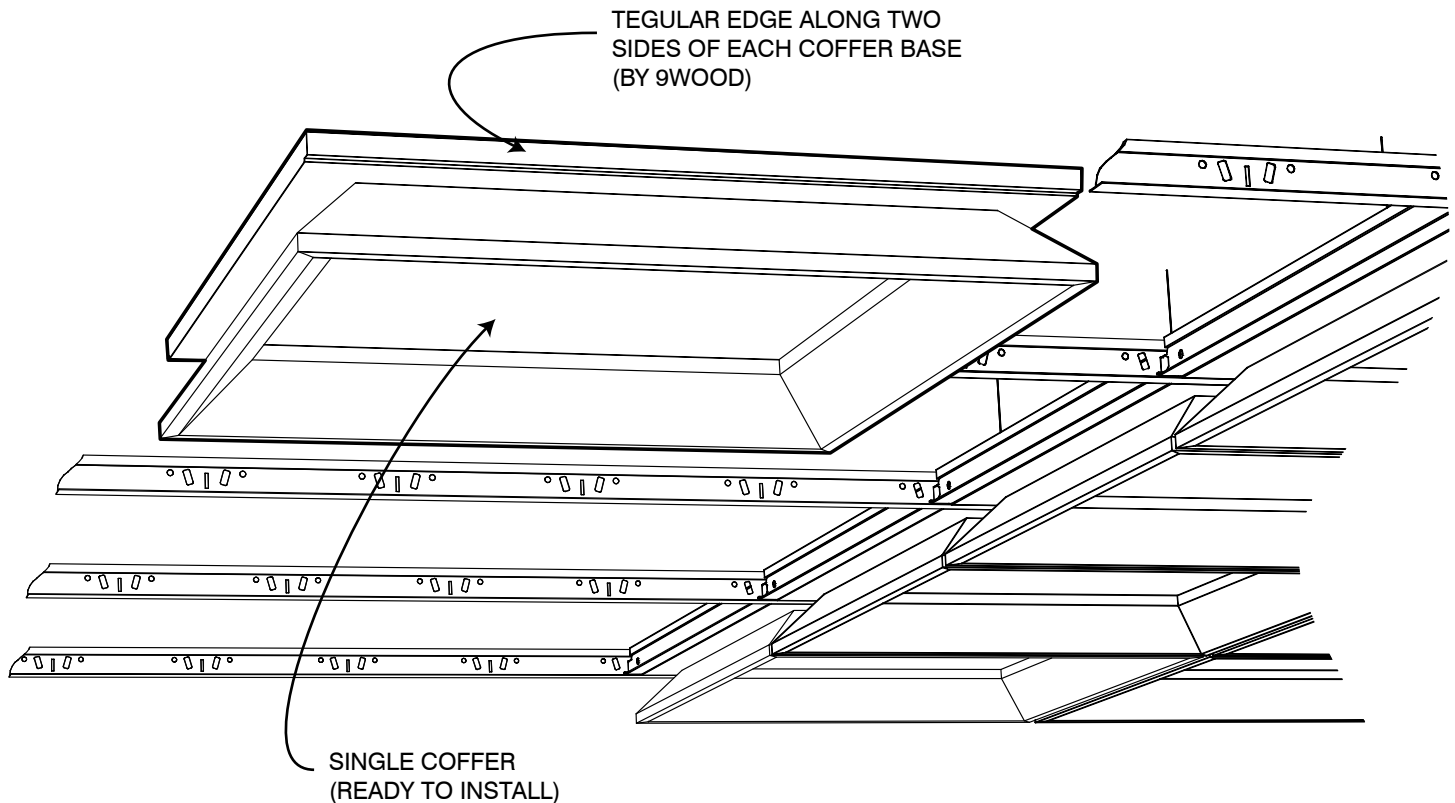
7200 Data Sheet



SERIES: 7000 WOOD COFFERS

STYLE: 7200 MODERN MOLDING

Overview



The **7200 Modern Molding Coffers** style wood ceiling offers a coffer design typical of modern European woodwork. The coffer frame remains angular. The coffer lays into 15/16" standard T-Bar grid below the grid. Multiple veneer pattern options are available for the coffer interior panel.

Attachment for the 7200 Modern Molding Coffers is via tegular edges that lay into T-Bar grid.





7200 Data Sheet



SERIES: 7000 WOOD COFFERS

STYLE: 7200 MODERN MOLDING

Product Data

Application

The Modern Molding Coffer is used in spaces where a modern version of the traditional coffer appearance is desired. Picture frame assembly is used to fabricate and miter veneered molding which is attached to a veneered panel. A 3/16" reveal is required between panels. Access is by lift, shift and removal. In seismic zones, a safety-wire tie-off may be required.

Performance

Acclimatization

Modern Molding Coffers must be cared for in a controlled interior environment (RH 25%-55% max; temp. 60°-80°) and installed only after reaching equilibrium moisture content. Should the building fall outside these limits consult 9Wood, Inc. for our 3 Tests/3 Tracks Acclimatization Advisory.

Acoustics

The Modern Molding Coffer is considered acoustically reflective.

Fire Rating

Individual members and components can be treated with Class I (A) Fire Retardant chemicals (solid wood use FR coatings, veneered particleboard use FR formulas). Particular species or styles have not been tested.

LEED

Modern Molding Coffers may qualify toward MR-3, MR-4.1/4.2, MR-5.1/5.2, MR-6, MR-7, IEQ-4.2 or IEQ-4.4. As all products are custom-fabricated, LEED credit opportunities are project by project. Please contact 9Wood, Inc. for specifics.

MEP

The Modern Molding Coffer permits MEP penetrations in the ceiling's surface. Cut panels may require supplemental reinforcement. Fixtures and diff users must be independently supported.

Seismic

Wood Coffers may require a safety wire tie-off . Please consult local code or a licensed engineer for any additional requirements.

Species & Finishes

9Wood can offer both domestic and imported species for the Modern Molding Coffer. Clear, satin sheen finish is standard; custom stain matches are available.

Suspension

Modern Molding Coffers lay onto 15/16" heavy duty T-Bar main runners. Main runners are typically 2' on center.

System Weight

Modern Molding Coffers typically weigh 4 pounds per square foot.



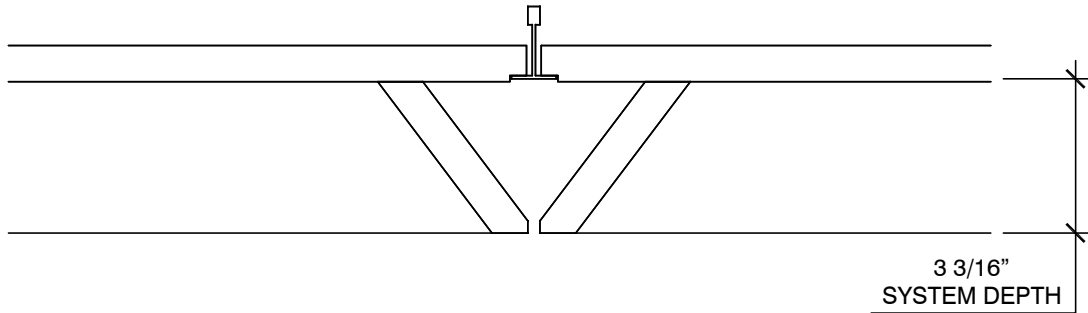
7200 Data Sheet



SERIES: 7000 WOOD COFFERS

STYLE: 7200 MODERN MOLDING

Typical Specifications



SKU Table

Coffer Length	Coffer Width		
	24"		
24"	7224-24		

* Please see 9wood.com for information on appropriate species selections.



7200 Data Sheet



SERIES: 7000 WOOD COFFERS

STYLE: 7200 MODERN MOLDING

Perimeter Conditions and Suspension

